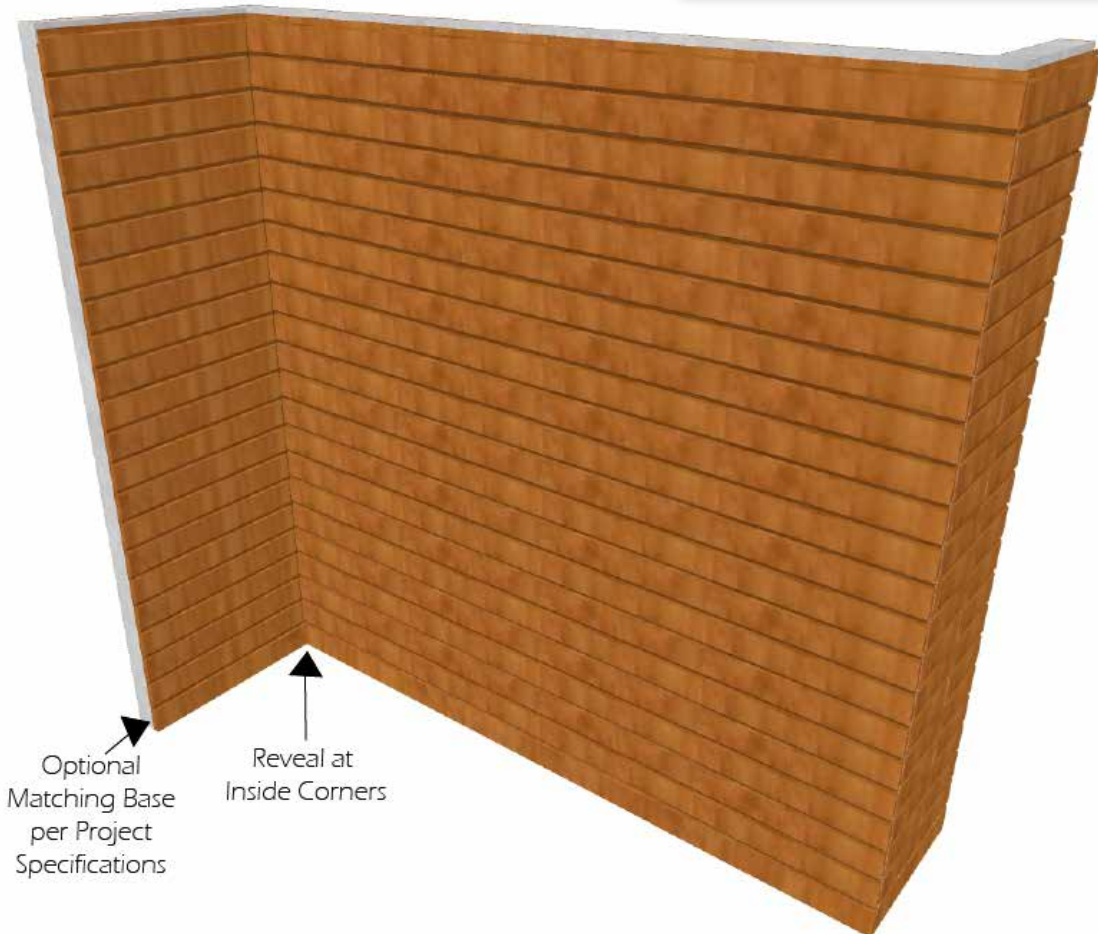




**REDBUD**  
ARCHITECTURAL  
SYSTEMS



Our tongue-and-groove edge slats install to form a continuous plank system that can be installed on ceilings or walls. Slats can be made with solid wood or veneer material and finished in any color. We have five standard reveal profiles, with custom profiles available upon request.

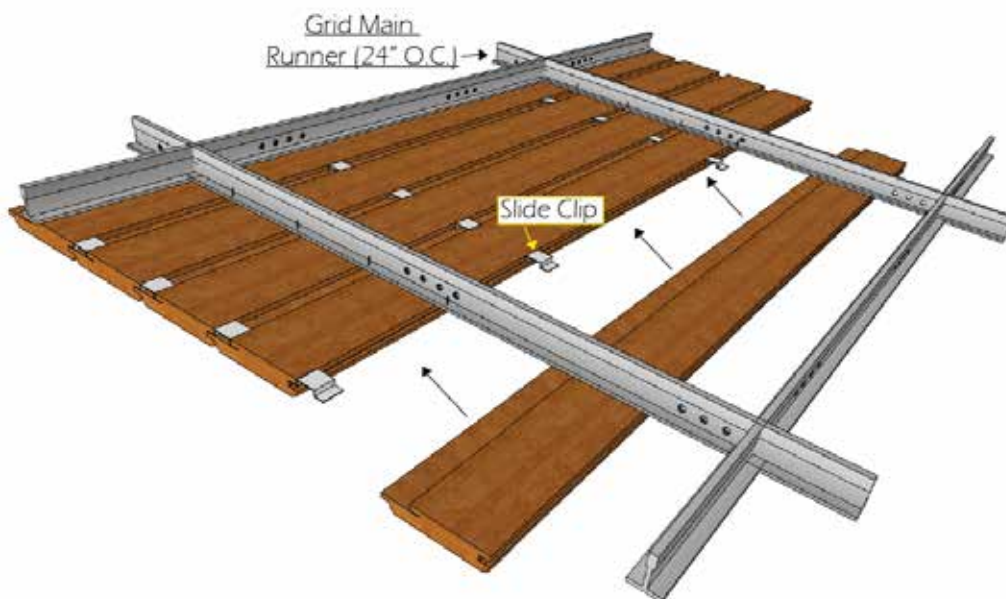
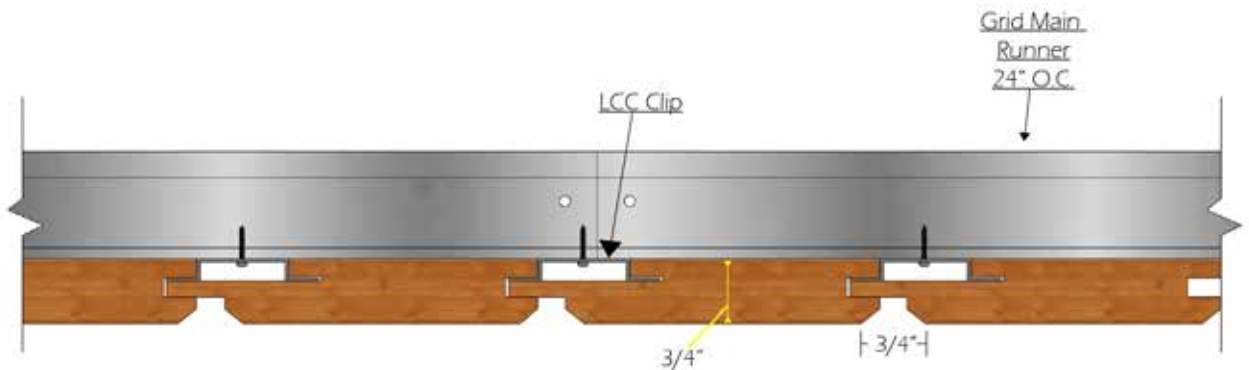
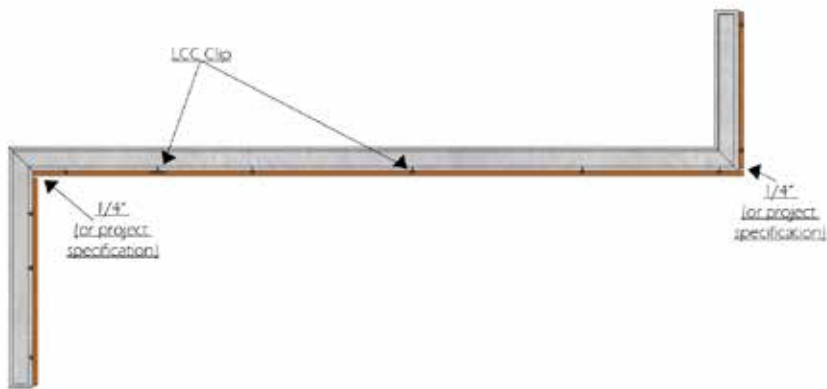


**CLOSED LINEAR SYSTEM**





**REDBUD**  
ARCHITECTURAL  
SYSTEMS

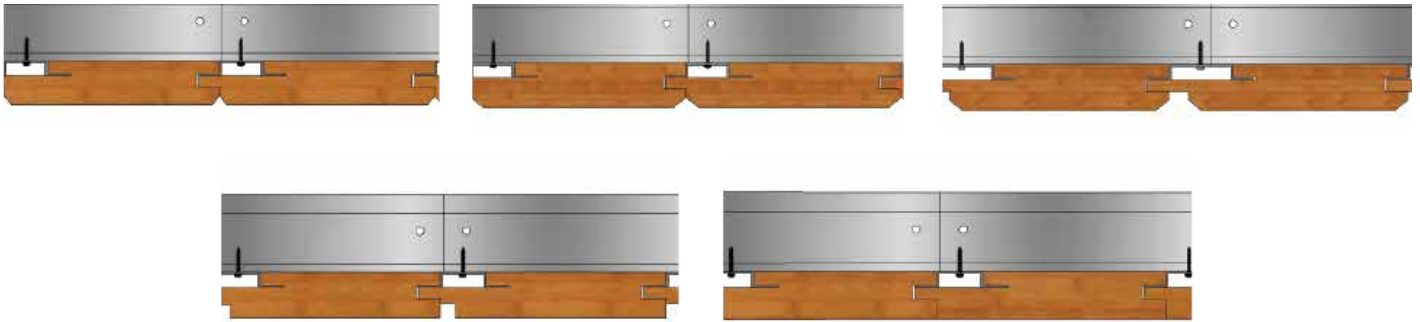


**CLOSED LINEAR SYSTEM**





STANDARD REVEAL OPTIONS  
(CUSTOM REVEALS PER PROJECT SPECIFICATIONS ARE AVAILABLE)



**ACOUSTICS**

Due to the nature of the design - the Closed Linear System naturally diffuses soundwaves with the reveal manufactured into the blades.

**CUSTOMIZATION**

The Closed Linear System can be custom manufactured in a variety of blade sizes, lengths, and widths. In any commercially available solid wood species or veneer color. Color-matching and custom finishes are also available.

**STORAGE AND ACCLIMATIZATION**

All Linear System material must be stored and installed only in a controlled interior environment (relative humidity range 25% - 55% maximum - temperature between 60° - 80° - not to exceed 86°). All windows, doors and wet work must be complete before installation. Material should only be installed after reaching equilibrium moisture content.

**FIRE RATING**

The LC1C Linear Closed System veneered and solid wood components can be treated with Fire Retardant chemicals to achieve Class A fire rating compliance.

**WARRANTY**

All materials produced by Redbud Architectural Systems are guaranteed against manufacturing defects for one year from the date of delivery. \*Due to the nature of wood stains, color matching can not be guaranteed.

CLOSED LINEAR SYSTEM

